



HAL
open science

A mobile platform for controlling and interacting with a do-it-yourself smart eyewear

Damien M Brun, Susan M Ferreira, Charles Gouin Vallerand, Sébastien George

► To cite this version:

Damien M Brun, Susan M Ferreira, Charles Gouin Vallerand, Sébastien George. A mobile platform for controlling and interacting with a do-it-yourself smart eyewear. *International Journal of Pervasive Computing and Communications*, 2017, 13 (1), pp.41 - 61. 10.1108/IJPCC-02-2017-0011 . hal-01575915

HAL Id: hal-01575915

<https://univ-lemans.hal.science/hal-01575915v1>

Submitted on 22 Aug 2017

HAL is a multi-disciplinary open access archive for the deposit and dissemination of scientific research documents, whether they are published or not. The documents may come from teaching and research institutions in France or abroad, or from public or private research centers.

L'archive ouverte pluridisciplinaire **HAL**, est destinée au dépôt et à la diffusion de documents scientifiques de niveau recherche, publiés ou non, émanant des établissements d'enseignement et de recherche français ou étrangers, des laboratoires publics ou privés.

Brun D., Ferreira S.M., Gouin-Vallerand C., George S., A mobile platform for controlling and interacting with a Do-It-Yourself Smart Eyewear, International Journal of Pervasive Computing and Communications, 2017, Vol. 13, n° 1, p. 41-61, doi: 10.1108/IJPC-02-2017-0011

A mobile platform for controlling and interacting with a Do-It-Yourself Smart Eyewear

ABSTRACT

Purpose - Smart Eyewear, such as augmented or virtual reality headset, allows the projection of virtual content through a display worn on the user's head. In this paper, we present a mobile platform, named "CARTON", to transform a smartphone into a smart eyewear following a Do-It-Yourself (DIY) approach. This platform is composed of three main components : a blueprint to build the hardware prototype with very simple materials and regular tools; a Software Development Kit (SDK) to help with the development of new applications (e.g. augmented reality app); and finally a second SDK (ControlWear) to interact with mobile applications through a Smartwatch.

Design/methodology/approach - User experiments were conducted in which participants were asked to create, by themselves, the CARTON's hardware part and perform usability tests with their own creation. A second round of experimentation was conducted to evaluate three different interaction modalities.

Findings - Qualitative user feedback and quantitative results prove that CARTON is functional and feasible by anyone, without specific skills. The results also showed that ControlWear had the most positive results, compared with the other interaction modalities, and that user interaction preference would vary depending on the task.

Originality/value - The authors describe a novel way to create a smart eyewear available for a wide audience around the world. By providing everything open-source and open-hardware, we intend to solve the reachability of technologies related to smart eyewear and aim to accelerate research around it.

Keywords

Mobile; Do-It-Yourself; Wearable; Augmented Reality; Smartwatch; Human Computer Interaction.

Paper Type

Research paper

1. INTRODUCTION

Since a decade, the progress in mobile computing (e.g. battery, processing power, display) brings a growing interest in smart eyewear and others assimilate Optical Head-Mounted Displays (OHMD) such as the Google Glass, Vuzix, Microsoft HoloLens or Ora-X. However, such devices are still very expensive or worst, sometimes even unavailable or hard to obtain depending on the end user's location. Those factors are limiting the access to the technology and reducing a broader utilization by the population. For researchers and academics, those factors make more difficult to conduct research and develop prototypes with smart eyewear. For instance, testing and evaluating a prototype of collaborative learning based on augmented reality for primary or secondary schools can be costly and hard to obtain the needed amount of devices.

Very few studies focused on solving this problem. Some projects intended to reduce costs by applying smartphones to create an inexpensive AR (Augmented Reality) headset. The use of a smartphone to create an accessible smart eyewear is considered a key strategy for two reasons:

1. It provides everything needed for the “smart” part of this eyewear (e.g., chip, screen, camera, battery, connectivity and is usually packed with plenty of sensors).
2. It is widely available. Just for Android in September 2015, Google claims there were 1.4 billion 30-days active devices around the world (Google, 2015).

Unfortunately, previous research applying the smartphone approach for developing smart eyewear has not solved the problem yet. Whether their solutions were not similar enough to smart eyewear, but closer to a virtual reality headset (Amer and Peralez, 2014), or they lacked reachability (De Angeli and O’Neill, 2015): considering the process of creation is not open or it includes tools/materials not yet widely available.

In this paper, by smart eyewear, we mean any device which can carry out many functions of a mobile computer, but has to be worn on the head, implying the use of eyes. Therefore, a smart eyewear is not exclusively related to augmented reality technology, and could be applied for other experiences.

In this study, we aim to solve these issues by designing a DIY smart eyewear prototype (shown in Figure 1) which requires only simple material and regular tools that mostly everyone has access around the world, at least where smartphones are present. By using standard material and tools we aim to create favorable conditions to knowledge-sharing with instructions easy to follow (Tanenbaum *et al.*, 2013). Information and knowledge exchange is a core value to the motivations for contributing in the DIY community (Kuznetsov and Paulos, 2010): allowing creators and contributors to receive feedback, educate others and showcase projects, among others. Highlighting its value, DIY practices are also popular among CHI researchers (Buechley *et al.*, 2009). Therefore, in order to make it truly reachable, we naturally decided to make it open-hardware. Thus, all guides and blueprints are available directly on the Internet (**LINK ANONYMIZED**).

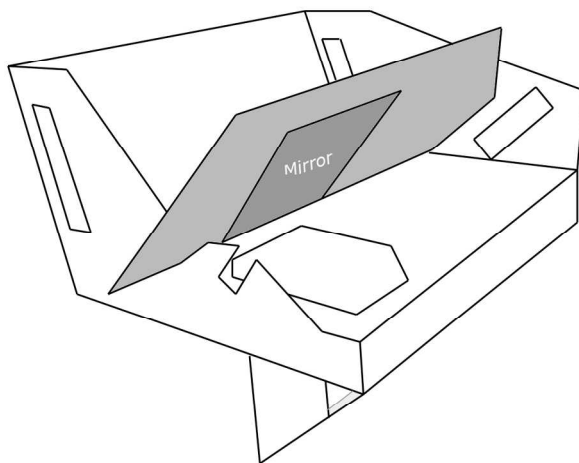


Figure 1. CARTON prototype: wireframe design (left) and real (right)

“CARTON”, as a complete toolkit (**REFERENCE ANONYMIZED**) also includes an open-source SDK. The SDK aims to accelerate and simplify the adaptation, or development, of existing and new mobile app compatible with our device (e.g., mostly any application dedicated to Google Glass and assimilate could be adapted for CARTON thanks to similar features and characteristics). The open-source community based on knowledge-sharing are quite similar to the DIY community sharing some identical cores. Furthermore, open-source practices have already proved to be effective in software development (Yamauchi *et al.*, 2000). Almost as old as the early age of software development, the open-source

1
2
3 communities have grown and are very widespread around the world, creating a huge number of tools and
4 new technology in order to improve their effectiveness.

5 In our solution, to complete the open-source SDK, the toolkit also contains a full documentation and two
6 sample apps used during our experiments. Indeed, we conducted two sets of experiments with 16 and 10
7 participants to confirm that this DIY smart eyewear is feasible following the guide, the blueprint and
8 usable/functional following its utilization/interaction with real applications. Therefore, the contribution of
9 this project is triple: (i) providing blueprints and guidelines to build a low-cost, open source and easy to
10 do DIY smart eyewear devices, (ii) providing an SDK to support the development and the adaptation of
11 mobile apps for eye-wearable and (iii) providing different modalities of interaction including a regular
12 smartwatch to make sure a wide number of people can use it in different situations. At last, CARTON
13 project allows to end users an easy access to another kind of multimedia (e.g., interface/interaction related
14 to smart eyewear) just with a mobile phone.

15 This paper is structured as follows. The first section presents a review of the related work around the
16 development of smart eyewear. The second section presents the CARTON project with a description of its
17 hardware, the developed software (including ControlWear), and a description of the sample applications
18 that goes with the SDKs. The third section presents the evaluation of our solution, followed by the
19 presentation of the results. Finally, we conclude this paper with future work and conclusion.
20
21
22

23 24 **2. RELATED WORK**

25 Motivated by the inaccessibility of augmented and virtual reality technologies for developing countries'
26 population, Amer and Peralez (2014) were ones of the first researchers to present affordable altered
27 perspectives to make augmented (and virtual) reality technology. They presented a tool similar to the
28 well-known Google Cardboard (DIY virtual reality headset) (Google, 2014) but with foam board, welding
29 goggles and concave lenses. With the help of stereoscopy technique and smartphone's camera, their
30 device can create a virtual or augmented reality experience, among others. The major problem of this
31 strategy is that the entire view of the user is limited to the focal of the smartphone's camera. Also, the
32 reality is altered by the smartphone's screen and camera characteristics (density, color restitution), feeling
33 less natural. Another limitation of this tool is that their system requires a large amount of initial manual
34 adjustment before use.
35

36 After this first initiative, De Angeli and O'Neill (2015) outlined their study in developing an AR headset
37 with low purchase and maintenance costs. Their work is similar to a product previously presented by the
38 company Seebright (2014). In their study, a lightweight frame that holds a smartphone above the user's
39 eye line was applied. A piece of Plexiglass was added in front of the user's eye line which refracts the
40 light of the smartphone's screen, therefore making it possible to add a virtual layer to the reality. Since the
41 rear camera's phone faces the ceiling, a piece of mirror was added on the top of the headset, aligning the
42 camera's sight with the eye line. The authors conducted a study to test the visual capacity of the tool,
43 depending on light condition of the environment and smartphone's screen brightness. The results showed
44 that their headset, using smartphones, delivers very good results with ambient illumination similar to
45 interior environment. Unfortunately, this tool has a huge limitation in relation to its reachability to
46 everyone. Despite the fact that the material does not have an excessive cost, in their last version they used
47 tools which are currently not accessible everywhere, like a 3D printer. Although adaptations on mobile
48 apps are mandatory to use their solution, no SDK is provided. But overall, and most important, all of
49 these previous works did not provide their creation openly to the community, which is unfavorable to its
50 reachability.
51
52
53

54 55 **3. CARTON**

56 Based on an analysis of the related works we propose the CARTON project, which aims a broader use of
57 smart eyewear following a DIY approach.
58
59
60

3.1 Hardware

Aiming to ensure our eyewear's reachability, we focused our design in employing materials that were easy to obtain and affordable. CARTON is made of very simple materials and applying regular tools. The complete list of needed tools and material is shown in Table 1.

3.1.1 Design Strategies

Inspired in more consolidated products, such as Meta 2 (Meta, 2016), and a previous research on an inexpensive augmented reality headset (De Angeli and O'Neill, 2015), we use Pepper's ghost effect to add a layer on the reality (Bimber and Raskar, 2003). Using this effect, the smartphone's screen is projected directly into the transparent plastic sheet (as seen in Figure 2), which is positioned in front of the user's eyes. Since the plastic sheet is perfectly transparent (such as a glass lenses), the real world look through it remains unchanged and normal. An important factor to be taken into consideration in this approach is that the transparent plastic sheet should not be thicker than 0.5mm (0.020 in.), otherwise the projection will appear twice, one on each side, and the quality will be affected (with a blurred effect). Another solution to avoid this issue is to apply an anti-reflective transparent material, but unfortunately, this material is not easily available, hence against the philosophy of this project. This step is very sensible because if the transparent plastic sheet is too thin, then it can bend and the result is distorted. As a strategy to solve this issue, we added to the design a flat stick in order to prevent the transparent plastic sheet bend. This transparent plastic sheet can be found in any regular stationery shop.

HERE WAS TABLE 1

Table 1. CARTON's toolkit material and tools

1
2
3 In this current configuration, as shown in Figure 3, the rear camera of the mobile phone faces the ceiling.
4 We use a small mirror piece to track the view in front of the user's eyes, it is placed on the top of the
5 mobile phone at 45°. We designed the prototype so that the mirror is separated from the main part in
6 another module for three reasons:

- 7 1. Tracking the user's view is optional for many use cases. For instance, to receive context-
8 awareness notification we could use other mobile's features and sensors (e.g., GPS, Wi-Fi,
9 accelerometer...).
- 10 2. The mirror is probably the hardest piece of material to acquire, so we can still create and use the
11 CARTON without it.
- 12 3. Due to multiple rear camera's position (depending on the model of the mobile, the position is
13 usually top-left, but sometime top center), thus the separate module makes the CARTON device
14 adaptable to those differences.
15

16 Taking into account facial anthropometric (Naini, 2011), we tilted down the main structure to 15°,
17 because the forehead is not perfectly perpendicular to the straight-ahead look of the eyes. Adding to it,
18 this strategy also contributed to correcting the upper position of the smartphone and its camera from the
19 horizontal eye line, as shown in Figure 3.
20



39 **Figure 2. Overview of a mobile application projected to the plastic screen**

40
41 Besides the materials previously discussed, extra articles were added to the toolkit aiming to improve its
42 design. The sponge acts as a cushion cover to make this wearable tool more comfortable. The rubber band
43 has been placed to avoid the smartphone to fall out from the carton prototype. The utility stretch strap is
44 there to fix it on the head, adding the hand-free ability to this project. In overall, the total cost of the
45 material, to produce one device, does not exceed \$9 USD. Adding to it (only if needed) the additional cost
46 of the tools shown in Table 1, the maximal cost is around \$13 USD, depending on the shop and location.
47 However, this kind of tools and materials are usually already owned or can be found for free, just as the
48 main material: cardboard.
49
50
51
52
53
54
55
56
57
58
59
60

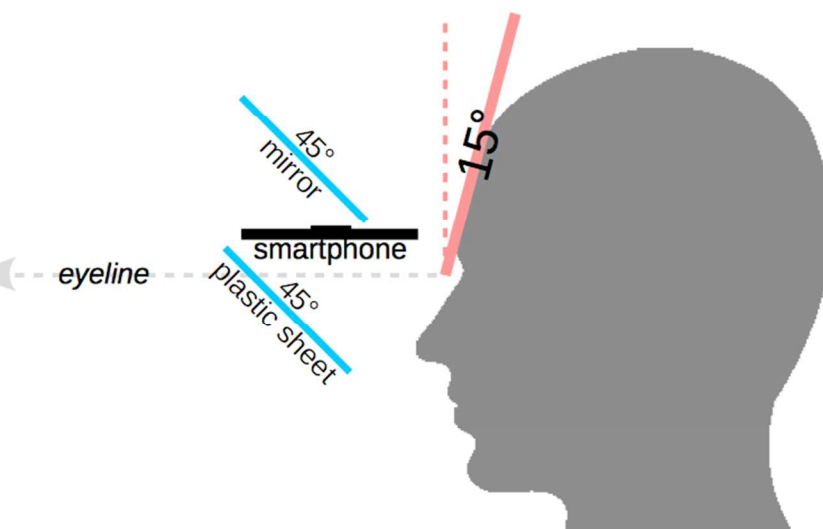


Figure 3. Pepper's ghost configuration and forehead slope

Almost all the blueprint has been designed using the open-source software LibreOffice Draw or Inkscape and it has been initially inspired by the Google Cardboard v1. After several design iterations, it evolved to the blueprint presented in Figure 4. During the designing of the blueprint, to accelerate each iteration process, we have been to a fabrication laboratory (FabLab) to laser cut the cardboard. For that reason, even if it is not the main purpose of this project, we also released a version of the blueprint adapted to laser-cut. The final blueprint is on scale and adapted to be printed on regular paper size Letter or A4 format.

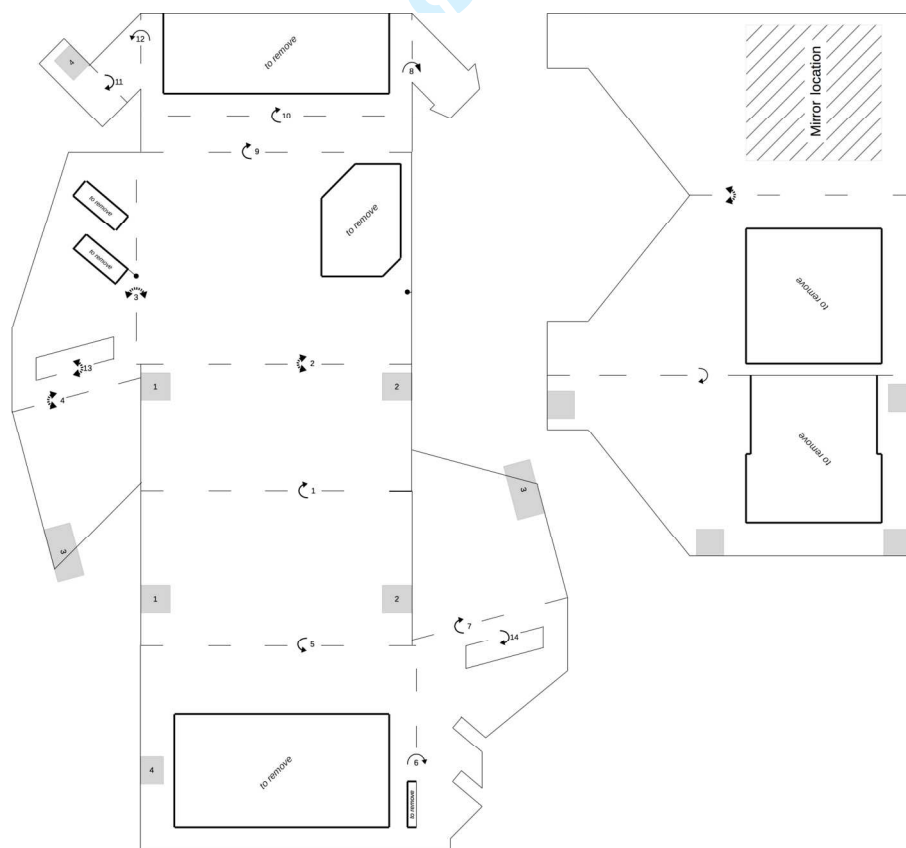


Figure 4. Full CARTON's blueprint

3.2 Software

Our motivation to create an SDK with two samples mobile apps is deeply linked with its reachability. Instead of just creating a unique demonstration app as a proof of concept we considered necessary to provide an easy way to develop new experience using CARTON devices. Indeed, some coding adaptations to the apps are necessary to be compatible (e.g., to respect some size and margin), therefore it would be considered as a boilerplate code without the SDK. Everything has been created natively with Android Studio 1.5 and Android SDK version 23.

3.2.1 SDK

The SDK has been created in order to facilitate the development, or adaptation of mobile app compatible with the CARTON device. It is available for the platform Android 4.1+ and can be downloaded from the project related GitHub repository (**LINK ANONYMIZED**). In addition to examples, the SDK is also accompanied with documentation and tutorials, which helps his integration.

The CARTON SDK includes the following features:

- Auto-adaptive screen. It configures the smartphone's screen automatically to the correct size (width, height), position (margin—left and top) and brightness. The current position size has been chosen considering a wide difference of mobile phone screens' size between 3.5 and 6 inches. It limits the usable screen zone to 30x60 mm with a 10 mm margin from top and left as shown in Figure 5. We measure one of the smallest popular smartphones (iPhone 4 with 3.5 inches' screen) and choose those limits based on the minimal. We made sure it fit inside. A design choice made to avoid different experience depending on the user's phone. Then the brightness of the mobile's screen is set to maximum to make it more visible. Finally, a mirrored effect is added to the whole interface because of the Pepper's ghost effect, otherwise everything is horizontally reversed.

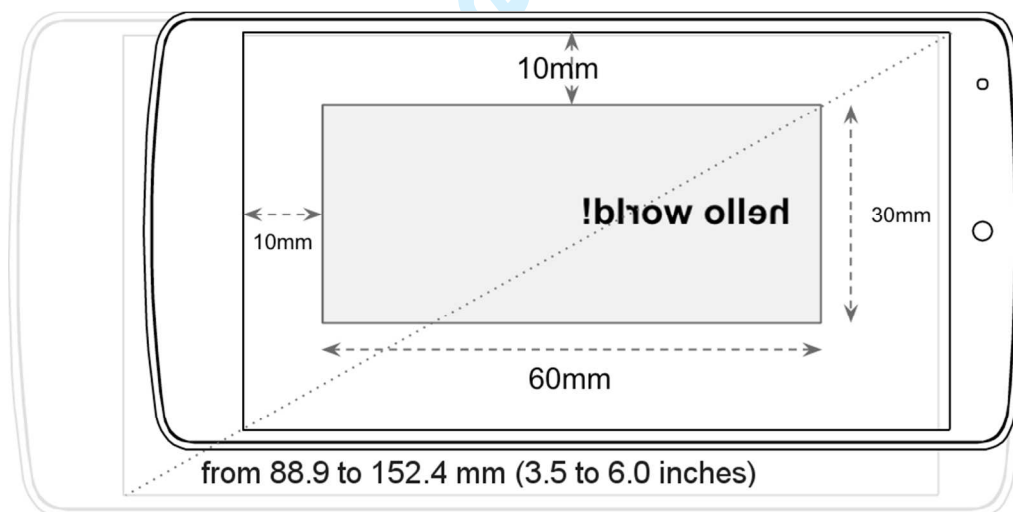


Figure 5. Non-scale interface position and size limits with horizontal reverse

- A default launcher. This provides a standard launcher to get information on how to place the phone inside the CARTON device. Furthermore, it includes a button that allows users to launch the app without CARTON, the mirrored feature is automatically deactivated, a functionality that is particularly convenient for developers. It also provides a link directly to the construction guide for people without CARTON who wants to build their own.
- Head Gesture Recognition API. It helps to integrate a spherical tracking and a head gesture recognition such as tilt and nod. These two gestures are considered as a natural and intuitive interaction, which can be performed without disturbing a primary activity (Morency and Darrell). We use high-level sensor fusion from Android that mixes different sensors: accelerometer,

gyroscope and magnetometer. To recognize tilting (right or left) or nodding (up and down), the API measures how far user inclines her/his head with a threshold (15°) and how long does it take to go back to origin (1000 milliseconds) as shown in Figure 6 (left). These parameters were chosen considering internal tests, and have been refined after the pilot test.

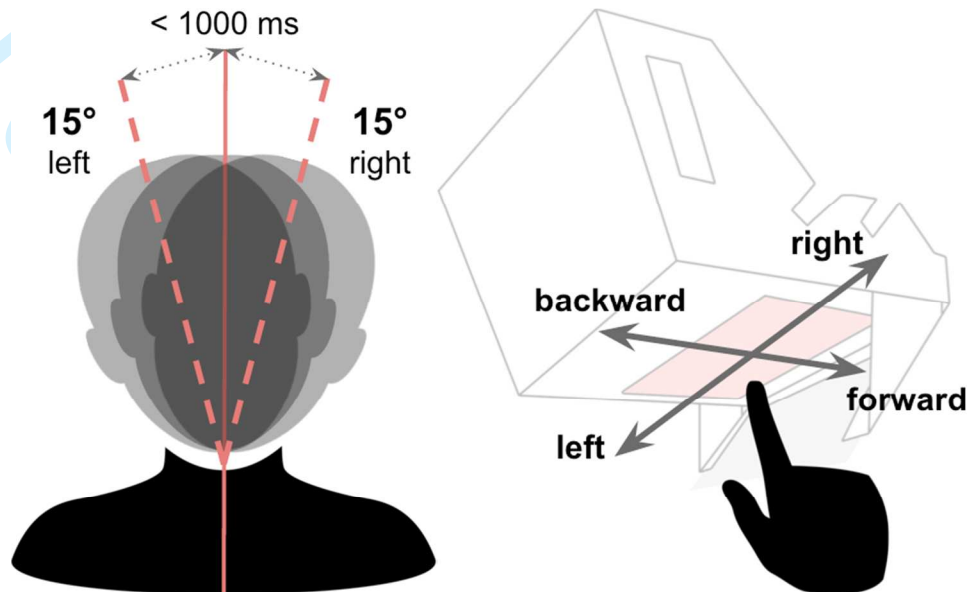


Figure 6. Tilt gesture detection (left), finger touch interaction (right)

- Finger Gesture. The smartphone's screen is still reachable to the user to conduct touch gestures. Therefore, we included a layer over the interface to interact with common patterns: swipe/flip left, right and forward/backward (top/down) as shown in Figure 6 (right). Quick gestures have been chosen to avoid causing a lack of interactivity, with the finger cutting off the user's view. The Finger Gesture feature was added to provide a better accessibility of the device (e.g., people with disability who couldn't use Head Gesture or Voice Recognition).
- Voice Recognition. The native Android speech recognition service is used to allow the user to easily interact with the voice.

3.2.2 ControlWear

After the first evaluation with users, we included an optional fourth way to interact with CARTON, by using a regular Android Wear smartwatch. The solution is called ControlWear, and is a complete standalone project. In addition to being fully compatible and integrated with CARTON, we decided to create it separately because it could also be used with any other kind of augmented reality and/or virtual reality tools and systems available for Android mobile. Therefore, we develop another software library for Android available on GitHub in another repository (**LINK ANONYMIZED**). It includes a touch gesture recognition (from the smartwatch's screen) with pattern similar to what we get with a trackpad such as a multi-direction "Swipe" (right/left/up/down) and simple or double tap, as shown in Figure 7 (left). Because the Trackpad does not need an elaborate interface, we created an official generic app for smartwatch as shown in Figure 7 (right).



Figure 7. Swipe/Tap patterns (left) and real ControlWear "TrackPad mode" screenshot (right)

To detect a swipe gesture, we based our algorithm on the Android GestureDetector which allows us to receive the position (two dimensions coordinates) of the initial touch and last touch of the gesture. Then, we calculate the relative angle between the two points and sort it in the correct direction. The direction is based on 360° full circle divide by 4 ranges of 90°:

- 315 - 45: right
- 45 - 135: up
- 135 - 225: left
- 225 - 315: down

The aim of the library is to provide an interface to communicate between any kind of mobile app (3) in Figure 8 and the official generic apps which run on the smartwatch (1) on Figure 8. Since applications on Android Wear 1.4 (and below) could not be standalone, the communication pass through another official generic app which is run as a service on the mobile phone (2) on Figure 8.

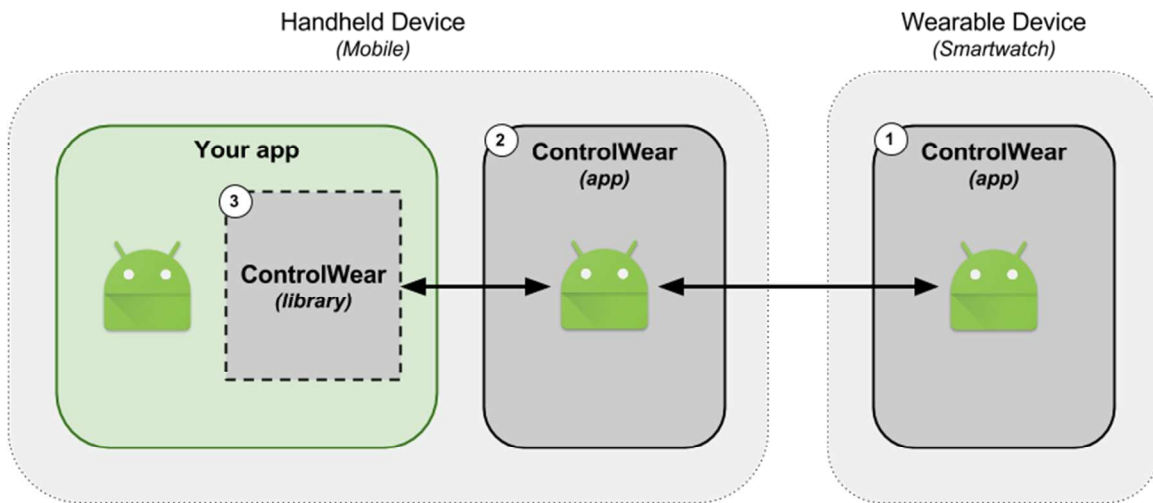


Figure 8. ControlWear software architecture

3.2.3 Sample (Demos)

Three mobile apps have been created using the CARTON SDK. They are also openly available on the GitHub repository. The first application, which is the main one, called "CARTON", include six features accessible from a menu composed of simple tiles. This app is available for Android 4.2.x, or more, because of a used component added in API 17 (TextClock).

We can navigate through it with different kinds of interactions: fingers, head gesture and voice commands. Directly from the main menu (as shown in Figure 9) you can access:

- Clock. A simple tile providing time.
- Compass. The compass app of Google Glass adapted for CARTON with our SDK. The aim of this adaptation is to show that we can easily create and experience something similar to a consolidated smart glass using our tool.
- Live Subtitle. Use the Voice Recognition feature from CARTON SDK to create subtitles live-on. Its aim is to help hearing-impaired people, by listening to conversation then transcript it on the air as subtitles.
- Origami. Five origami diagrams are included (Frog, Mouse, Tulip, Lily and Cranevar), all of them under a Creative-Common license. They have been adapted to provide guides of each step in the user's view and uses hand-free control to navigate through the different steps.
- Tutorial. There is a tutorial automatically started when the app launch for the first time, but we can access it again directly from the menu. Here we can learn how to interact with CARTON, using some basic finger patterns, head gesture recognition and voice recognition.
- Compatible app. It retrieves the name and the description of any app installed on the current phone that is compatible with CARTON. It allows a direct launch from this main app, for example we can launch the second sample that way without leaving this one.

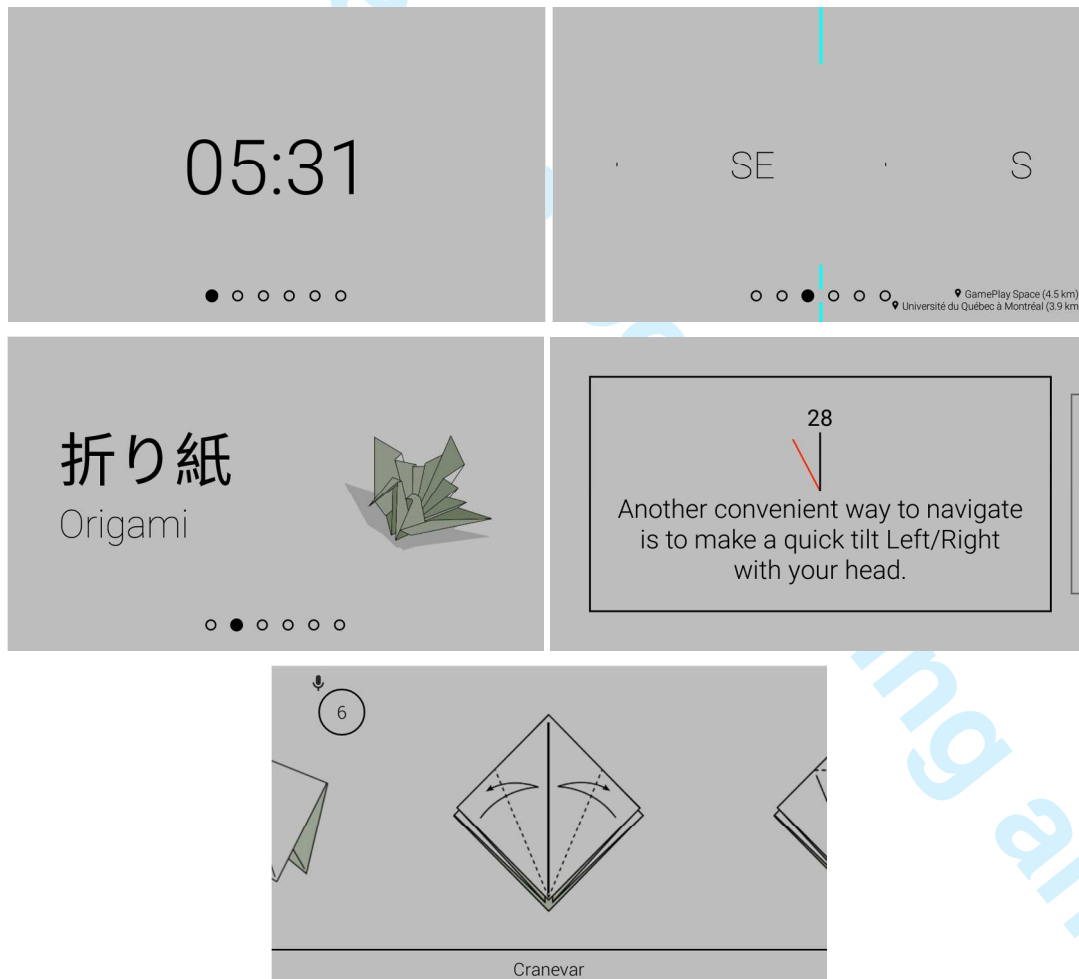


Figure 9. Screenshots (inverted color) from main sample app: (top left to down right) Clock, Compass & Origami (from main menu), Tutorial, Origami (step)

The second application, named “Poster Target”, is used to create an AR (Augmented Reality) experience with the camera’s phone. The view of the phone camera is projected to the screen of CARTON using the top mirror (as seen in Figure 10), then the user is able to focus at several selected printed posters and get additional information about them. The poster recognition is supported by the AR technology Vuforia v5 (PTC Inc., 2016). We use the Image Target feature in order to provide tracking and recognition of the posters. When a poster is recognized and tracked the app shows to the user, through the CARTON screen, some textual information, like a simple description of the poster in a virtual text box. The posters used for this sample are a courtesy of NASA/JPL-Caltech, dealing with space exploration and called the Visions of the Future (<http://jpl.nasa.gov/visions-of-the-future/>). This app is built in order to check two characteristics of CARTON:

- Hardware: use of the camera’s phone and so the mirror module.
- Software: CARTON SDK and its compatibility with Augmented Reality technologies (e.g., Vuforia).



Figure 10. View of the camera’s phone projected to the plastic sheet of CARTON

The third application integrates the ControlWear solution. It is a separated application which includes two features similar to the main app (tutorial and origami assistant) and add a new one: Race. The aim of this application is to evaluate three different kind of interaction (Finger Touch, Head Gesture and Smartwatch control) and include chronologically three parts:

- Training. Tutorial on how to control CARTON with the three different interaction modalities (Finger Touch, Head Gesture and Smartwatch control).
- Race. A small game in which a box move in a table 4x4 from one square to another, with checkpoints. The time is measured as shown in Figure 11. In this configuration, each directional interaction has to be done at least 2 to 4 times, for a total of 12 movements minimum.
- Origami. Tutorial to build an origami tulip with textual help.

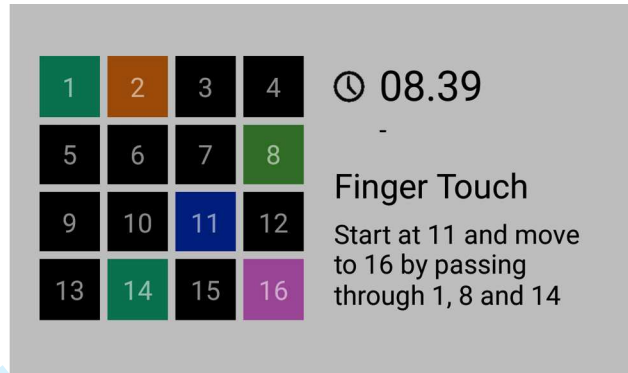


Figure 11. Screenshots (inverted color) of the “Race” activity

To make sure the samples (first and second) apps and the CARTON prototype work properly with multiple devices, we successfully conduct internal tests with popular android phones, as shown in Table 2. iPhone has not been tested yet because the SDK is currently available only for Android.

HERE WAS TABLE 2

Table 2. List of tested mobile phones

4. EVALUATION

The evaluation included two studies. In the first study we evaluated the construction process and user interaction with CARTON’s two first apps. The results of this first evaluation were applied into the second study, which focused in evaluating three different interaction modalities using CARTON’s third app.

The main objective of the first stage of the evaluation is to answer two main questions to make sure this project is appropriate and reachable to a wide community: Is it feasible? Is it functional? Firstly, we aimed to evaluate the whole Do-It-Yourself creation process, including the quality of blueprints, guide, tools and materials used. Furthermore, in a second part, we aimed to evaluate CARTON’s functionality and usability with two sample apps. Regarding the second study, the main objective is to analyze: how do we interact with CARTON? Does the provided solution is sufficient to be manipulated? And finally, is the use of multiple devices such as a smartwatch coherent to control an augmented reality system?

4.1 Methodology Study 1 - Construction and usability

4.1.1 Participants

We recruited 16 participants for the experiments, after publishing a recruitment poster in a university and in a video game co-working space. Therefore, the user groups were composed mostly of students (7) or people related to the video game industry (4), 12 men and 4 women aged between 25 and 56. In exchange for their participation in the study, participants received their CARTON creation and \$10, as a lump sum refund for public transport. Since they also kept their own creation, we hoped it made participants more conscientious with the assigned tasks. Our aim was attracting people without specific skills which could advantage them to create a CARTON prototype. Only 6 of the participants already created some DIY project before. Few confess, in the survey accompanying the evaluation, that they were not particularly handymen. 3 participants had knowledge and skills to develop mobile app, so they were interested in using it after the experiments, but also two of them did not own a smartphone.

During one week we managed 4 sessions, with 4 participants each. In each session we provided all the material and tools required that we found easily in regular shops. Out of the 16 participants, 4 took part in a pre-test (the first session) in order to update the guide and blueprint. Thus, the main evaluation group included 12 participants, which is considered enough participants to identify around 95.0% of significant usability problems (Bastien and Scapin, 1993).

4.1.2 Sessions

Each session lasted around two and a half hours and was organized in two parts. In the first part, participants were asked to follow the guidelines and blueprint to create their own CARTON. In the second part, participants tested their creation using the sample demos.

4.1.3 Construction Process

During this first part of the experimentation, participants created their own CARTON (as shown in Figure 12). The aim of this activity was to reproduce a situation as if they were at home, following guidelines and blueprints that they could find on the Internet. Participants were encouraged making comments (i.e. Think aloud method) during the experimentation. When they finished the creation of their CARTON device, they had to answer the first part of a questionnaire that includes 22 questions (mainly about the guide, the blueprint, the tools, their feelings). To make the experimentation process more similar to what we expect to happen in real life, we intentionally choose a regular to low quality of cardboard, since it is the most available in our daily life.

4.1.4 Usability Tests

During the second part of the first experimentation, participants had to use their own creation with a mobile phone we provided to them: Nexus 6 or Nexus 6P, both running on Android 6.0.1. We didn't let them use their own smartphone in order to reproduce the same experience across participants with similar characteristics. For this activity, we used the two sample apps compatible with CARTON that were presented in the previous section.

Participants had to go through the tutorial in the main app and navigate in the menu with fingers or head gesture. Then they were asked to launch the second app to test the mirror module. Finally, participants answered the last part of the questionnaire, with 29 questions about their experience (about the comfort, the display, few other characteristics and their feeling).



Figure 12. First part of the experimentation: participants making their own CARTON

4.2 Methodology Study 2 - Interaction

4.2.1 Participants

After we analyzed the results of the first experiments, we recruited 10 participants for the second evaluation. During 4 days, we managed 10 individual sessions with each participant. The user groups were composed of 5 women and 5 men aged between 25 and 69. In exchange for their participation in the study, participants kept their origami creation (a two-part tulip). All participants had a university degree and were professionals from different fields. All of them used (at least few times) a smartphone, therefore they knew the “swipe” gesture, but none of them had used a regular smartwatch before, and some of them (6/10 participants) already tried an augmented reality headset.

4.2.2 Sessions

Each session lasted around 40 minutes. Participants were asked to go through the whole third app. We provided to them a CARTON (already made), a smartphone Motorola Nexus 6 (Android 7.0) and a smartwatch Motorola 360 (1st generation - Android Wear 1.4.0). The activity included three tasks, and participants used all the interaction available for the application: Finger Touch, Head Gesture Recognition and ControlWear (smartwatch). In the first task, participants had to do a training in order to be familiar with the three interaction modalities. The second task was to play a small game, a race activity, and the third task was to create one origami (in 23 steps). At the end of the experimentation, we asked to the

participants to answer a questionnaire containing 16 questions about their feeling, preferences and previous experiences.

4.2.3 Interaction evaluation

We chose to evaluate these three interactions (Finger Touch, Head Gesture Recognition and ControlWear) because they share similarity and behavior: 4 directional way. For each task, we measured the rate of success/failure to interact, the time to do it, and their potential preferred interaction when they were allowed to choose. Therefore, participants had to do the first and second tasks 4 times, at least one time for each interaction, and one time by choosing the interaction they wanted. In the third task, participants did three origami's steps using each interaction (9 first steps) and the last 14 steps they could choose the interaction modality. We attempted to reduce the bias when participants could choose the interaction modalities by two ways. First we made a training activity for each interaction, so they would have previous knowledge about all of them. And second, we changed the order of the interaction modalities presented for each participant, some started with the smart watch, others with the head gesture recognition, etc.

5. RESULTS

5.1 Construction Process

The results from the participants' observation and questionnaire show positive outcomes regarding the CARTON construction process. Most participants could successfully create their own smart eyewear using the CARTON toolkit and all of them have been proud of using a product they build by themselves. Only one participant could not finish his construction properly, as its mirror module could not fit well. Except for this participant, all other participants affirmed to get some pleasure to use their smart eyewear. Furthermore, participants also rated positively their experience in the creation process and the provided user guide, blueprint and tools. Participants' satisfaction in the creation process was rated as 4.33/5 (1 unsatisfied/5 satisfied). Regarding the user guide and blueprint, most participants considered both as good, 91.7% (11/12) and 83.3% (10/12) respectively. The recommended tools' choice (that corresponds to: utility knives, scissors, ruler and glue stick) was also rated positively, 100% of the participants considered it suitable/adequate.

Besides showing the value of the CARTON to allow users, without specialized skill, to build a low-cost, open source and DIY smart eyewear, the results of the evaluation also allowed us to identify improvement aspects in relation to difficulties to build the device and its robustness. Participants affirmed that building the headset was not so easy 2.66/5 (1: hard, 5: easy). However, beyond the questionnaire, we notice during the process of construction that most participants tend to not read the guide and rely more on the blueprint. This could sometimes be an issue with forgotten and broken parts that made the construction more difficult, lengthen the process and also weakened the CARTON. Possible strategies to facilitate the construction process could be providing a video tutorial, and performing some improvements to the actual guide and blueprint.

In relation to the device robustness, even if 66.7% (8/12) of the participants think their CARTON is not robust mainly because of the cardboard, 83.3% (10/12) think the material's choice is suitable. Both of the two "inadequate" answers were due to the quality of the cardboard, participants said the cardboard was "coarse for a fine cut" and "too thick". We intentionally selected a low quality cardboard for reachability reasons previously explained, therefore this problem could be easily minimized. As a reflection of their judgment on robustness, 66.7% (8/12) of the participants affirmed they would prefer to create their own version with a 3D printer. Their motivations for that were: a need for "more robust" (said by 5 participants) but also "more accurate" (3 participants) and two of them for the "aesthetic". We consider that a 3D printing solution is not as highly customizable by a wide community, as the cardboard solution

of CARTON, because it requires more specialized knowledge and skills (e.g., in 3D modeling) to update the prototype. With our cardboard solution we ensure flexibility with customization, adaptation and personalization to satisfy more users (Genaro Motti and Caine, 2014) without adding extra cost.

5.2 Ergonomics

The results of the experimentation highlighted few improving aspects regarding the CARTON's comfort and ergonomics. Measure of the easiness to put on and take off the device was rated 3.33/5 (1: hard, 5: easy), which is correct (close to easy). Sometimes due to the chosen material, the utility stretch straps were judged "too small", not big enough for some heads, or it could stick with long hairs. The headset comfort was judged to 3.5/5 (1: bad, 5: good), still correct (close to good), but not a perfect score that is linked with the precedent minor and correctable default where the small utility stretch was judged "too tight", or the sponge "too harsh".

Half of the participants felt the weight of the device, but only one pointed "cumbersome" as a comfort issue. This issue could be easily minimized with another lighter smartphone than those used during the experiment. Nexus 6P and Nexus 6 are both of the heaviest phone with 178 g (6.28 oz.) and 184 g (6.49 oz.). The headset weight 85 g (3.0 oz.), so the total was 263 g and 269 g. To compare with Google Glass which weighs only 36 g (1.27 oz.), it is more than 7 times more. If we change for a lighter phone like Nexus 5X which weight 136g (4.80 oz.), we would gain around 20%.

The size of the display was judged large enough by 66.7% (8/12) of the participants and its render quality get 3.25/5 (1: bad, 5: good), which is correct (above average and closer to good) particularly considering that 2 participants had some trouble because their eyes have refractive errors, therefore they scored low this quality. Also, due to a difficulty in the construction process, two other participants had issues with a distorted plastic sheet that makes the result a bit blurred. As a consequence of the stretch being too tight, half of the participants felt physical discomfort and 75% of them felt a bit of fatigue but still tolerable after using the headset. However, these outcomes concur with the results of a previous research (Wille *et al.* 2014) on smart eyewear (commercialized HMD). Indeed, their results showed that even that there were no significant quantitative results proving a visual fatigue of the users (such as blink rate, etc.) participants answered subjectively they felt such a feeling. Also we point out that the answer of our survey might be influenced because the usability tests took place at the end of the experiments, straight after almost two hours of concentration on the creation process.

5.3 CARTON as a Smart Eyewear

In the survey, participants were asked to mark some characteristics, between 1 (bad) and 10 (good) regarding their experience on using CARTON as a smart eyewear device. Figure 13 shows a summary of their responses in a scale (1 to 5) consistent to other questions.

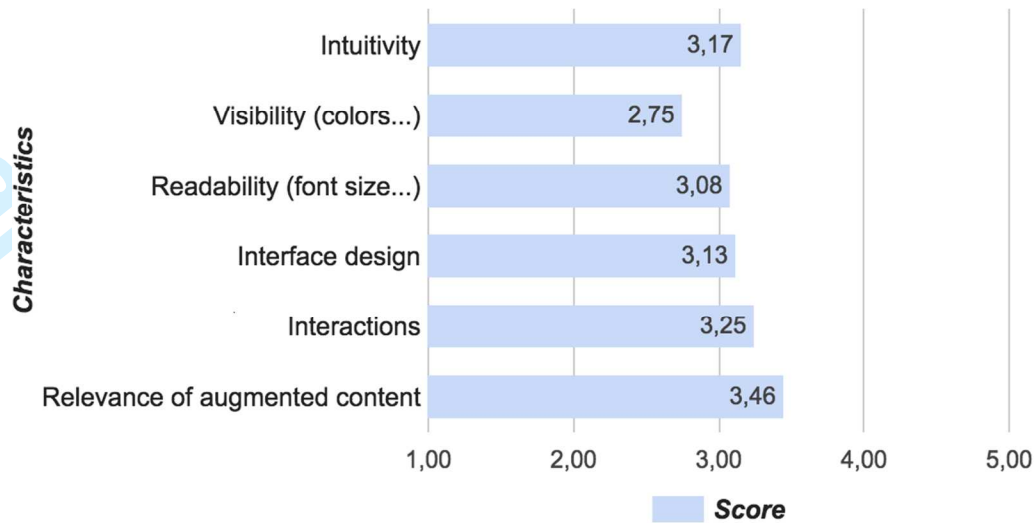


Figure 13. Demos' scoring characteristics

As Figure 13 illustrates, the users rated all characteristics of the demos above 3 except "Visibility" which shows some limits depending on the environment. We did not experiment outdoor with the participants, but we could already presume that it would be a limit as the display visibility of smartphones is difficult to adapt to very bright outdoor conditions. By using a slightly darker transparent plastic it would maybe decrease this issue, but it would also decrease a bit of its reachability by using a material harder to get. Noted that CARTON device has a peripheral see-through display, meaning the eyes have to focus on the display, which is quite different than other devices using stereoscopy technic such as Epson BT, Hololens and MetaVision. However, perhaps as a positive consequence of the precedent imperfect visibility, participants did not identify any issue due to eyes refocusing between the close display and long distance real world.

Despite that "Interactions" was the second-best score, Voice Recognition could not be tested properly to navigate or interact in CARTON. This feature had been tested only in the tutorial and with the "Live Subtitle" but we could detect some issues. Sometime the device is not listening during 1 sec, which made users repeat. Only 45% of the participants felt that interacting with Head Gesture (tilting/nodding) was natural. This was mainly because the nod gesture had a critical issue. The forehead slope of each participant was relatively different and for some of them 15 degrees opposite tilt of the headset was not enough. The mobile (hence the axis using for detecting nodding) was always inclined and far from being horizontal as expected. It resulted that nod was not detected. Also one of the participants wanted a better tutorial, which seems quite important for unusual gesture. These results show that there is room for improvements with further research to this kind of head gesture recognition.

The ease to aim a target was judged to 4.0/5. Which is good enough to considering this kind of hardware compatible with AR technologies.

Interesting fact, even if it was not designed to, and not intended to be used in a production level (initially dedicated only to experimentation, research and development), half of the participants (6/12) were likely to wear CARTON in a museum. The main resistance of the others was because of the aesthetics. Finally, all the participants were enthusiastic, providing some new ideas, different use cases, how to improve it and showed a real interest. 66.7% of the participants said they would like to change and customize their CARTON to make it more accurate, robust and improve the aesthetics, or just to add colors and stickers. This result strengthens the importance to open and share the blueprints, guidelines and SDK related to this solution.

5.4 Interactions

In total, 2114 interactions have been done in the second study, on average 211 interactions per user for each session. As the left graph show on Figure 14, the smartwatch appear to be an ideal use of CARTON in comparison to the two other interactions: Head Gesture and Finger Touch on the phone screen. When participants had the option to choose the interaction modality they selected the Smartwatch 67% of the time. Moreover, if we consider only the race activity they chose the Smartwatch 100% of the time. One justification for this choice could be that despite that none of participants (100%) had used a regular smartwatch before, its use is similar to what they (80%) already use every day: a mobile phone. However, their interaction choice varied depending on the task. There was a use case where the Head Gesture was the most performed interaction, it is coherent and more intuitive or natural: when the user's hands are not free, such as creating an origami. Indeed for this activity the difference to the choice made by users is significative, with most users choosing the head gesture, as shown in the right graph on Figure 14. Finally, the Finger Touch seems to be the last used interaction whenever the situation. This could be explained by a lower success rate presented by this modality in relation to the two other, as shown in the Figure 15.

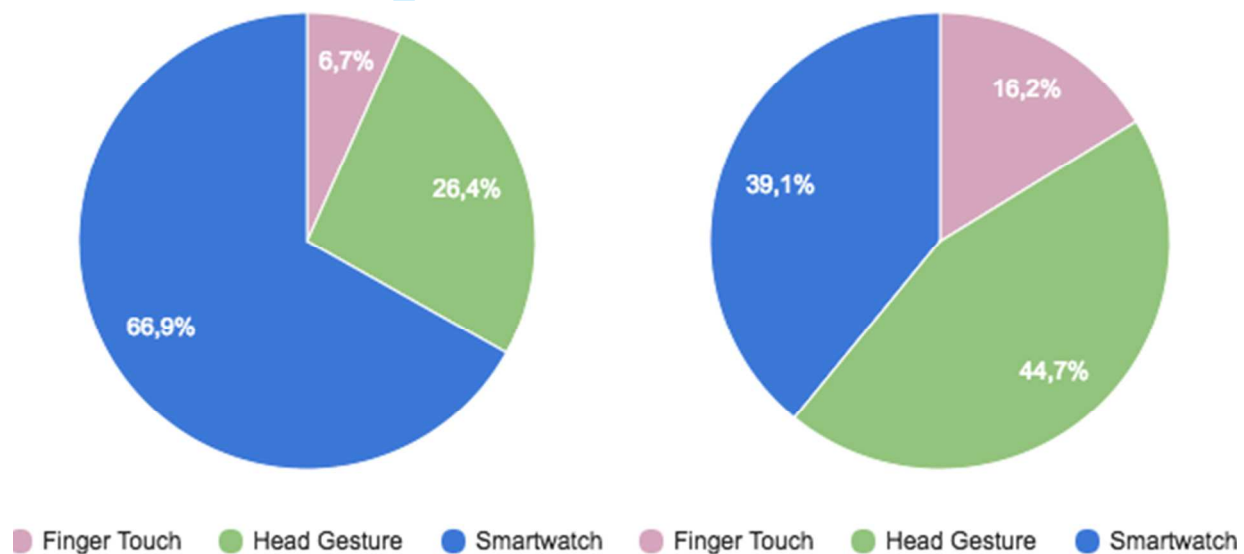


Figure 14. Interaction choice done by participants during the whole experiment (left) and only during the origami activity (right)

Indeed, it was confirmed by the questionnaire, where the only negative part about the Finger Touch was due to some attempt which didn't work. Our observation made during the experiments found that the area dedicated to the "swipe" gesture wasn't big enough, and some participants didn't the gesture out of the area. An upgrade to the SDK would minimize this aspect. Moreover, despite this minor issue, some participants perform very well in all interaction including Finger Touch with a success rate of 95%.

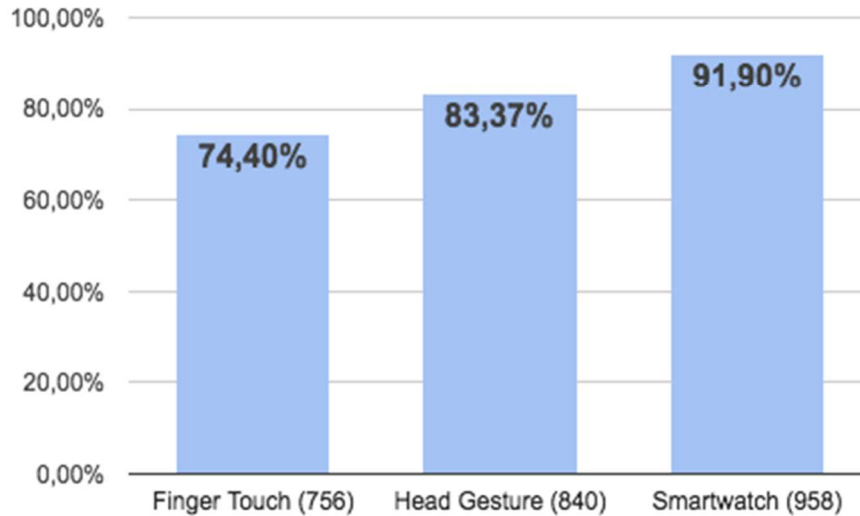


Figure 15. Success rate of each interaction (with total number of attempts)

In relation to the timing to complete a task using each interaction modality, the results indicate that the Smartwatch was the faster interaction strategy. This was a big advantage for the Race activity, where the Smartwatch interaction showed a much better timing (around 4 times quicker than the two other interactions) as shown in Figure 16. This fact could also justify the fact that 100% of the participants chose the Smartwatch to perform the Race task.

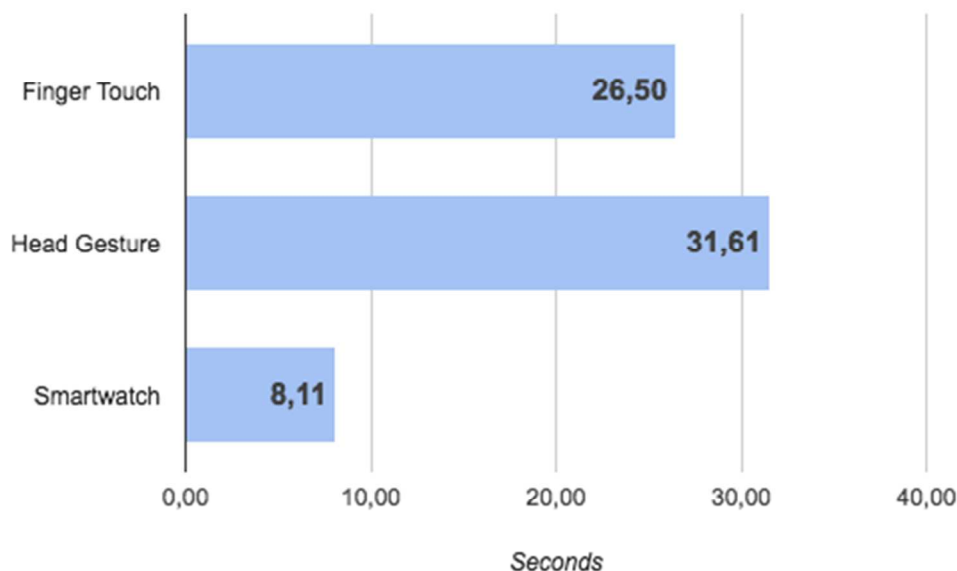


Figure 16. Average timing in seconds to finish the Race activity for each interaction

5.5 Post-Results

With all the data collected during the experiment, we already improved CARTON. For the hardware part there were a few minor upgrades to the blueprint (changed some lines to make it clearer and moved the rubber band's location) and guide (instruction to choose a longer utility straps and the softest sponge possible which now fix trouble with the comfort part). Also, a video and a tutorial publicly accessible on YouTube (**LINK ANONYMIZED**) and Instructables (a very famous DIY community website) have

1
2
3 been published (**LINK ANONYMIZED**) to make the creation process easier and facilitates the
4 distributed knowledge sharing (Tanenbaum *et al.*, 2013).

5
6 The Carton SDK for Android has also been updated. There is now a calibration feature for the Head
7 Gesture Recognition. The tilt forehead is adapted to the wearer of the device, which makes the nod
8 detection more accurate and efficient. Furthermore, there is another kind of head gesture implemented:
9 head shaking (right/left), detected by counting a number of changing directions in an allotted time. The
10 Smartwatch solution includes two new patterns to interact with: virtual joystick and buttons. The sample
11 apps are in the process of publication on the Google Play Store, to make it easier for everyone to test it,
12 before digging into it.
13

14 15 **6. FUTURE WORK**

16
17 Despite the fact that CARTON is already usable, due to the lesson learned from the result, we will still
18 slightly improve the comfort and visibility part mainly by trying new materials. Following a reviewer's
19 suggestion, we would like to add an aluminum foil between the cardboard and the sponge. We aim to
20 measure the actual radiation to verify if this new material could protect the brain from the emitted
21 smartphone's radiation. Also, whereas that some effort was made taking into consideration CARTON's
22 accessibility for people with special needs (e.g., different ways to interact with CARTON), it is definitely
23 not enough and we want to go further into this domain. By following guidelines to design accessible
24 wearable technology, as proposed by Wentzel *et al.* (2016), we would then be able to use it as a prototype
25 for this area. It would be interesting to go deeper into gesture recognition research which could in addition
26 to improve it, help to make it more accessible too. For instance, we could use the mirror module to add
27 hand gesture recognition, a natural and intuitive way to interact with AR systems (Piumsomboon *et al.*,
28 2013). Based on the positive and very enthusiastic results from the interaction with the Smartwatch, we
29 will conduct new research with the already developed new pattern coming from the post-results. We also
30 hope to create a community around CARTON, which could for example develop an iOS SDK, Unity
31 Package and sample apps with other AR technologies such as ARToolKit (DAQRI, 2015). We also may
32 consider doing it ourselves. Also, despite the fact that we were against at the beginning, we consider now
33 creating a 3D printable version of CARTON that we will publish openly on platforms such as
34 Thingiverse. This motivation raised since we learned from the study that users may also want a plastic
35 version, also community labs, which provide access to 3D printers, are getting more and more accessible
36 and known by people. Furthermore, another conceivable approach would be to contact some professional
37 maker (e.g., Dodocase), which then could provide a full kit with some preconceived part based on the free
38 blueprint and guide. This solution may be interesting for two reasons: firstly, preconceived part should be
39 more accurate than doing it manually, thus the conception will be quicker and the result more accurate
40 and robust. Secondly, the constructor should be able to provide an even cheaper solution thanks to
41 economies of scale, which would benefit for everyone by making the CARTON even more widely
42 reachable. Finally, now that we can use CARTON as a smart eyewear, we aim to apply it to conduct
43 research into collaborative multi-user and mobile/wearable computing.
44
45
46
47

48 49 **7. CONCLUSION**

50
51 To conclude, this paper presents an initiative, the CARTON project, to create a reachable smart eyewear
52 device based on a DIY approach. Thus, this project allows end users to easily access another kind of
53 multimedia (e.g., interface/interaction related to smart eyewear) just with a mobile phone. Moreover, this
54 initiative includes two SDKs. The first one, support the creation or the adaptation of existing Android
55 apps for the CARTON device. The second SDK (ControlWear) allows to control and interact with mobile
56 applications through a Smartwatch.
57
58
59
60

We conduct a study to evaluate the effectiveness of the guidelines for building a CARTON device, while testing at the same time the usability of the proposed device through manipulation of provided sample apps. The results showed that all participants were able to create an effective CARTON with simple material and tools despite minor issues appeared due to heterogeneity of people physiognomy and skills. Thus, the contribution of this study is triple: (i) providing blueprints and guidelines to build a low-cost, open source and easy to do DIY smart eyewear devices, (ii) providing an SDK to support the development and the adaptation of mobile apps for eye-wearable and (iii) providing different modalities of interaction including a regular smartwatch to make sure a wide number of people can use it in different situations. Indeed, we conducted a second study aiming to evaluate three different interaction modalities with CARTON (Finger Touch, Head Gesture Recognition and ControlWear (smart watch)). The overall results showed better outcomes for the ControlWear modality, in relation to users' preference, time and successful rate to perform tasks. Furthermore, the outcomes indicate that user's interaction preference would vary depending on the task. For instance, the Head Gesture Recognition was the most popular modality when users had their hands occupied building their origami.

By providing all of our works openly, not only our blueprint and code but also guides and full documentation, it makes much easier to reproduce experimentation, improvements, and to involve a community in producing a new version of CARTON and ControlWear. The fact of sharing is definitely not new and unique, but we still hope some other studies will follow this path, in this area or another. Finding the appropriate balance between reachability and effectiveness was one of the hardest part related to this project. Is sacrificing reachability with such a material or tool worth it? This is particularly what the DIY community is very good at: finding new creative ways by combining multiple domains such as crafting, electronic, sewing ... a perfect match for mobile and wearable technology.

8. ACKNOWLEDGMENTS

We would like to thank all the participants, and all publications support and staff, who wrote and provided helpful comments on previous versions of this document. As well authors gratefully acknowledge the grant from ANONYMIZED and ANONYMIZED.

9. REFERENCES

- Ahmed, A., and Peralez, P. 2014. Affordable Altered Perspectives: Making Augmented and Virtual Reality Technology Accessible. *In Proc. IEEE Global Humanitarian Technology Conference*, 603–8.
- ARToolKit SDK website: <http://artoolkit.org/>
- Bastien, J.M. C., and Scapin, D. L. 1993. Ergonomic Criteria for the Evaluation of Human-Computer Interfaces. *INRIA*.
- Bimber O., Raskar R. 2003 Alternative Augmented Reality Approaches: Concepts, Techniques, and Applications. *Eurographics*.
- Buechley L., Rosner D. K., Paulos E., and Williams A. 2009. DIY for CHI: Methods, Communities, and Values of Reuse and Customization. *Ext. Abstracts CHI 2009*, ACM Press (2009), 4823–26.
- De Angeli, D., and O'Neill E. J. 2015. Development of an Inexpensive Augmented Reality (AR) Headset. *In Proc. CHI 2015*, ACM Press (2015), 971–76.
- Genaro Motti V., and Caine K. 2014. Understanding the Wearability of Head-Mounted Devices from a Human-Centered Perspective. *In International Symposium on Wearable Computers 2014*, ACM Press (2014), 83–86.
- Google Cardboard (2014), Official Website. [online] Available at: <https://vr.google.com/cardboard> (Accessed 29 Jan. 2017)

- 1
- 2
- 3
- 4 ● Google (2015). Google - September Press Event 2015. [video] Available at: https://youtu.be/Jc-LEG0T_4c (Accessed 29 Jan. 2017)
- 5
- 6 ● Kuznetsov S., and Paulos E. 2010. Rise of the Expert Amateur: DIY Projects, Communities, and
- 7 Cultures. *In Proc. NordiCHI 2010*, ACM Press (2010), 295–304.
- 8 ● Metavision device website: <http://metavision.com/>
- 9 ● Morency L.-P., and Darrell T. 2006. Head Gesture Recognition in Intelligent Interfaces: The Role
- 10 of Context in Improving Recognition. *In Proc. IUI 2006*, ACM Press (2006) 32–38.
- 11 ● Naini, Farhad B. 2011. Facial Aesthetics: Concepts and Clinical Diagnosis. John Wiley & Sons.
- 12 ● Piumsomboon T., Clark A., Billinghamurst M., and Cockburn A. 2013. User-Defined Gestures for
- 13 Augmented Reality. *Ext. Abstracts CHI 2013*, ACM Press (2013).
- 14 ● Seebright device website: <http://seebright.com/>
- 15 ● Tanenbaum J. G., Williams A. M., Desjardins A., and Tanenbaum K. 2013. Democratizing
- 16 Technology: Pleasure, Utility and Expressiveness in DIY and Maker Practice. *In Proc. CHI 2013*.
- 17 ACM Press (2013), 2603–12.
- 18 ● Vuforia AR platform website: <http://www.vuforia.com/>
- 19 ● Wentzel J., Velleman E., and Geest T. 2016. Wearables for All: Development of Guidelines to
- 20 Stimulate Accessible Wearable Technology Design. *In W4A 2016*.
- 21 ● Wille M., Adolph L., Grauel B., Wischniewski S., Theis S., and Alexander T. 2014. Prolonged
- 22 Work with Head Mounted Displays. *In Proc. ISWC 2014*, ACM Press (2014), 221–24.
- 23 ● Yamauchi Y., Yokozawa M., Shinohara T., and Ishida T. 2000. Collaboration with Lean Media:
- 24 How Open-Source Software Succeeds. *In Proc. CSCW 2000*. ACM Press (2000), 329–38
- 25
- 26
- 27
- 28
- 29
- 30
- 31
- 32
- 33
- 34
- 35
- 36
- 37
- 38
- 39
- 40
- 41
- 42
- 43
- 44
- 45
- 46
- 47
- 48
- 49
- 50
- 51
- 52
- 53
- 54
- 55
- 56
- 57
- 58
- 59
- 60

Tools	Utility knife
	Scissor
	Glue stick
	Ruler
Material	Printed blueprint
	Cardboard
	Transparent plastic sheet
	Flat stir stick
	Mirror
	Sponge
	Utility stretch straps
	Rubber band
	Double-sided adhesive tape
Adhesive tape	

Table 1. CARTON's toolkit material and tools

Device name	Android version	Screen size (inch)
Motorola Nexus 6	6.0.1 and 7.0	5.96
Huawei Nexus 6P	6.0.1	5.7
Samsung Galaxy Note 4	5.1.1	5.7
LG G3	5.0.1	5.5
Samsung Galaxy S6	5.1.1	5.1
LG Nexus 5	6.0.1	4.95
Samsung Galaxy S3	4.3	4.8

Table 2. List of tested mobile phones